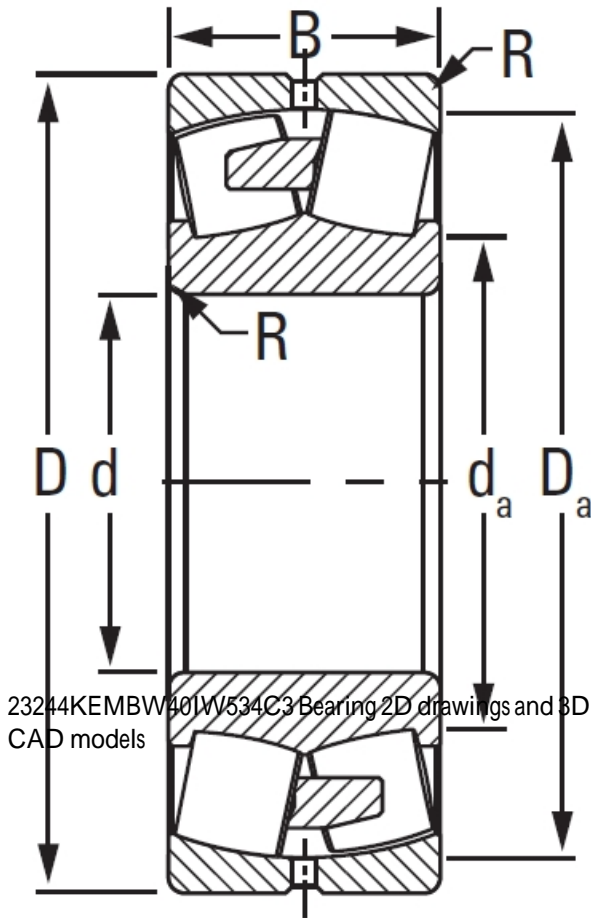




23244KEMBW40IW534C3 TIMKEN Tapered Roller Bearings

Bearing No. 23244KEMBW40IW534C3



23244KEMBW40IW534C3 Bearing 2D drawings and 3D CAD models

Design Unit	METRIC
Bore Taper	1/12
Bearing Weight	79.4 Kg
Cage Type	EMB
Cage Material	Brass
Superseded Part	23244KYMBW40IW534C3
d	220 mm
D	400.000 mm
B - Inner Ring Width	144 mm
B - Outer Ring Width	144 mm
R - Inner Ring To Clear Radius <sup>1</sup>	3.0 mm
r - Outer Ring To Clear Radius <sup>2</sup>	3.0 mm
da - Inner Ring Backing Diameter	257.000 mm
Da - Outer Ring Backing Diameter	359.000 mm
C0 - Static Radial Rating	3350000 N
C1(2) - Dynamic Radial Rating (Two-Rows)	2490000 N
e - ISO Factor <sup>3</sup>	0.35
Y0 - ISO Factor <sup>4</sup>	1.95
Y1 - ISO Factor <sup>5</sup>	2.9
Y2 - ISO Factor <sup>6</sup>	1.9
Reference Thermal Speed Rating (Grease)	830



## Xili Bearing Co., Ltd

Reference Thermal Speed Rating (Oil) <sup>7</sup>	920
Cg - Geometry Factor <sup>8</sup>	0.1051