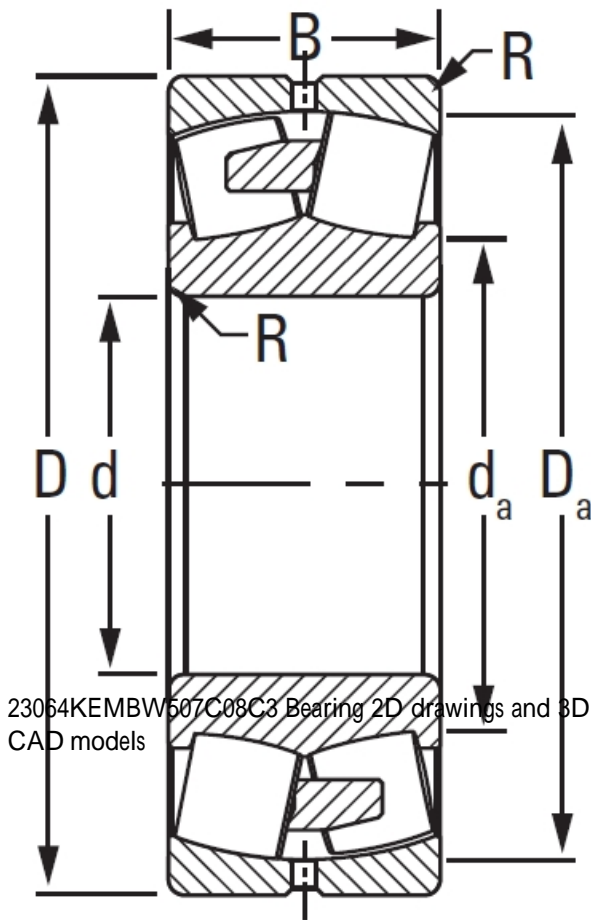




23064KEMBW507C08C3 TIMKEN Tapered Roller Bearings

Bearing No. 23064KEMBW507C08C3



23064KEMBW507C08C3 Bearing 2D drawings and 3D CAD models

| Design Unit | METRIC |
|---|--------------------|
| Bore Taper | 1/12 |
| Bearing Weight | 77.4 Kg |
| Cage Type | EMB |
| UPC Code | 087796028661 |
| Cage Material | Brass |
| Superseded Part | 23064KYMBW507C08C3 |
| d | 320.000 mm |
| D | 480.000 mm |
| B - Inner Ring Width | 121 mm |
| B - Outer Ring Width | 121.000 mm |
| R - Inner Ring To Clear Radius ¹ | 3.0 mm |
| r - Outer Ring To Clear Radius ² | 3.0 mm |
| da - Inner Ring Backing Diameter | 355.000 mm |
| Da - Outer Ring Backing Diameter | 444.000 mm |
| C0 - Static Radial Rating | 3880000 N |
| C1(2) - Dynamic Radial Rating (Two-Rows) | 2410000 N |
| e - ISO Factor ³ | 0.23 |
| Y0 - ISO Factor ⁴ | 2.93 |
| Y1 - ISO Factor ⁵ | 4.36 |
| Y2 - ISO Factor ⁶ | 2.86 |
| Reference Thermal Speed | 880 |



Xili Bearing Co., Ltd

| | |
|--|--------|
| Rating (Grease) | |
| Reference Thermal Speed Rating (Oil) ⁷ | 1000 |
| Cg - Geometry Factor ⁸ | 0.1278 |