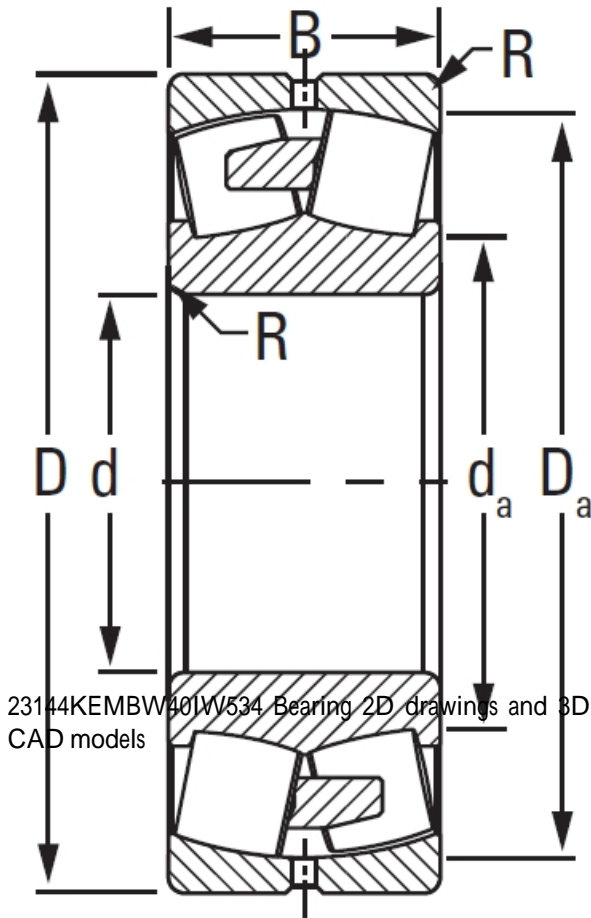




23144KEMBW40IW534 TIMKEN Tapered Roller Bearings

Bearing No. 23144KEMBW40IW534



23144KEMBW40IW534 Bearing 2D drawings and 3D CAD models

Design Unit	METRIC
Bore Taper	1/12
Bearing Weight	52.800 Kg
Cage Type	EMB
Cage Material	Brass
Superseded Part	23144KYMBW40IW534
d	220 mm
D	370 mm
B - Inner Ring Width	120 mm
B - Outer Ring Width	120 mm
R - Inner Ring To Clear Radius ¹	3.0 mm
r - Outer Ring To Clear Radius ²	3.0 mm
da - Inner Ring Backing Diameter	252.000 mm
Da - Outer Ring Backing Diameter	336.000 mm
C0 - Static Radial Rating	2740000 N
C1(2) - Dynamic Radial Rating (Two-Rows)	1940000 N
e - ISO Factor ³	0.31
Y0 - ISO Factor ⁴	2.17
Y1 - ISO Factor ⁵	3.24
Y2 - ISO Factor ⁶	2.12
Reference Thermal Speed Rating (Grease)	1000



Xili Bearing Co., Ltd

Reference Thermal Speed Rating (Oil) ⁷	1200
Cg - Geometry Factor ⁸	0.1033