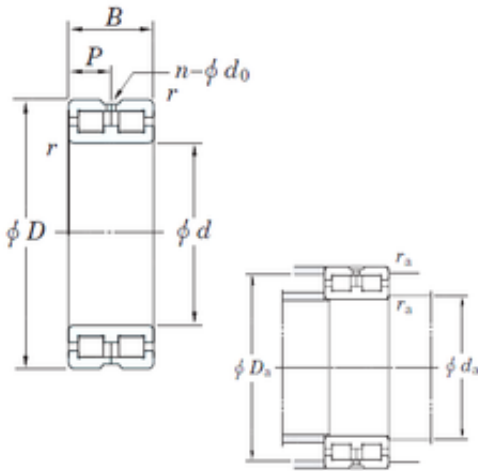




# Xili Bearing Co., Ltd

## 300 mm x 420 mm x 118 mm KOYO DC4960AVW cylindrical roller bearings

Bearing No. DC4960AVW



DC4960AVW Bearing 2D drawings and 3D CAD models

Size	300x420x118 mm
Bore Diameter	300 mm
Outer Diameter	420 mm
Width	118 mm
d	300 mm
D	420 mm
B	118 mm
C	118 mm
n	8 mm
p	59 mm
r min.	3 mm
da min.	314 mm
Da max.	406 mm
ra max.	2,5 mm
Weight	53 Kg
Basic dynamic load rating (C)	1 560 kN
Bearing No.	DC4960AVW
r(min)	3
Cr	1560
C0r	3710
S	- mm
P	59
n(qty)	8
do	8
da(min)	314



## Xili Bearing Co., Ltd

Da(max)	406
ra(max)	2.5
(Refer.)Mass(Fixed side)(kg)	53.0