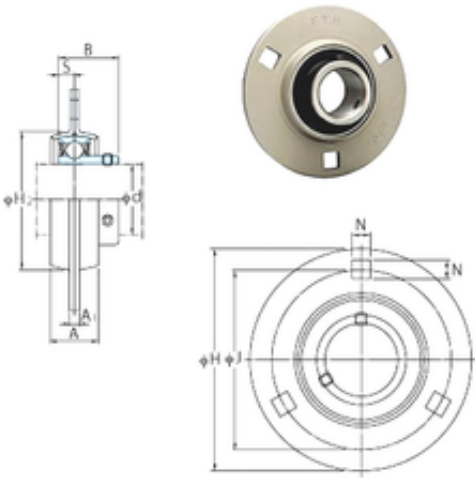




# Xili Bearing Co., Ltd

## FYH SBPF207 bearing units

Bearing No. SBPF207



SBPF207 Bearing 2D drawings and 3D CAD models

|                               |                   |
|-------------------------------|-------------------|
| Bore Diameter                 | 35 mm             |
| Width                         | 32 mm             |
| d                             | 35 mm             |
| A                             | 22 mm             |
| A1                            | 5,2 mm            |
| B                             | 32 mm             |
| H                             | 122 mm            |
| H2                            | 81 mm             |
| J                             | 100 mm            |
| N                             | 11 mm             |
| S                             | 8,5 mm            |
| Bolt (G)                      | M10               |
| Weight                        | 0,82 Kg           |
| Basic dynamic load rating (C) | 25,7 kN           |
| Basic static load rating (C0) | 15,4 kN           |
| Category                      | Bearings          |
| Inventory                     | 0.0               |
| Manufacturer Name             | FYH BEARING UNITS |
| Minimum Buy Quantity          | N/A               |
| Weight / Kilogram             | 0                 |
| Product Group                 | M06110            |