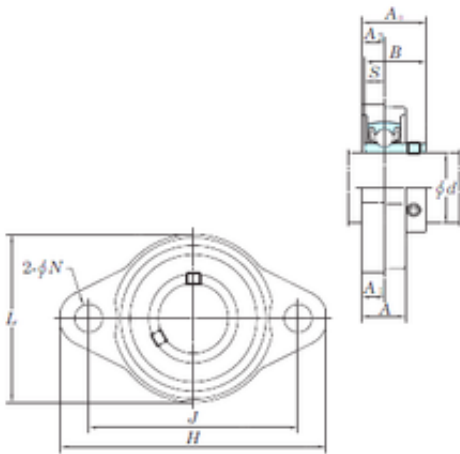




KOYO UFL000 bearing units



Bearing No. UFL000

Bore Diameter	10 mm
d	10 mm
A0	16 mm
A	12 mm
A1	6 mm
B	15 mm
H	60 mm
J	45 mm
L	36 mm
N	7 mm
S	5 mm
Bolt (G)	M6
A2	6 mm
Weight	0,05 Kg
Basic dynamic load rating (C)	4,55 kN
Basic static load rating (C0)	1,95 kN
Bearing No.	UFL000
Bolt size	M6
Cr	4.55
C0r	1.95
f0	12.3
(Refer.) Unit mass(kg)	0.050

UFL000 Bearing 2D drawings and 3D CAD models