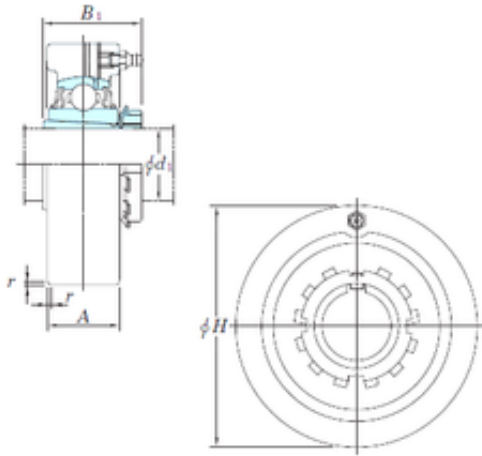




Xili Bearing Co., Ltd



KOYO UKC306 bearing units

Bearing No. UKC306

Bore Diameter	25,4 mm
d	25,4 mm
r	2 mm
A	28 mm
B1	38 mm
H	100 mm
Weight	1,8 Kg
Basic dynamic load rating (C)	26,7 kN
Basic static load rating (C0)	15 kN

UKC306 Bearing 2D drawings and 3D CAD models