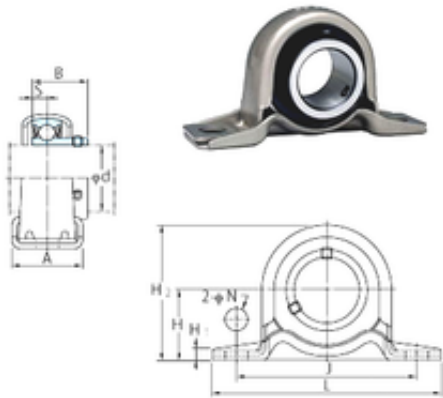




Xili Bearing Co., Ltd

FYH SBPP205-16 bearing units



Bearing No. SBPP205-16

Bore Diameter	25 mm
Width	27 mm
d	25 mm
A	32 mm
B	27 mm
H	28,6 mm
H1	4 mm
H2	56,6 mm
J	86 mm
L	108 mm
N	11,5 mm
S	7,5 mm
Bolt (G)	M10
Weight	0,28 Kg
Basic dynamic load rating (C)	14 kN
Basic static load rating (C0)	7,85 kN

SBPP205-16 Bearing 2D drawings and 3D CAD models