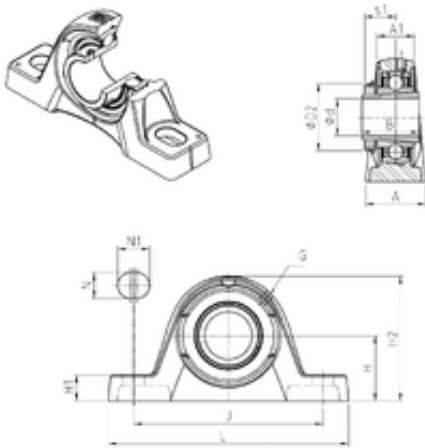




SNR UKPLE211H bearing units

Bearing No. UKPLE211H



UKPLE211H Bearing 2D drawings and 3D CAD models

Bore Diameter	50 mm
d	50 mm
s1	29 mm
A	60 mm
A1	39,5 mm
B	59 mm
D2	75 mm
H	61,3 mm
H1	23,2 mm
H2	128 mm
J	170,5 mm
L	219,5 mm
N	18 mm
N1	26 mm
Thread (G)	M6x1
Weight	3,5 Kg
Basic dynamic load rating (C)	43,55 kN