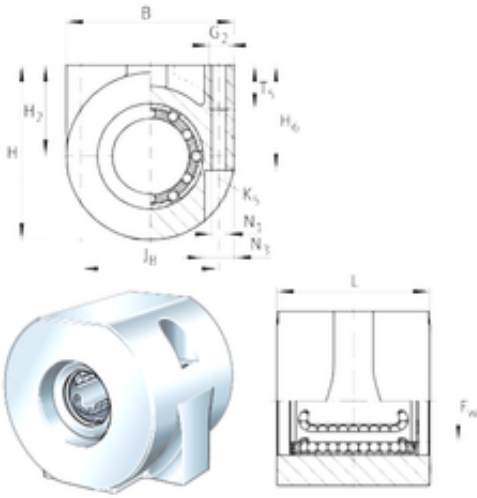




**INA KGHA25-PP bearing units**



Bearing No. KGHA25-PP

Bore Diameter	25 mm
Width	55 mm
Fw	25 mm
H6	35 mm
B	55 mm
H	57,5 mm
H2	30 mm
L	49 mm
N1	5,1 mm
Thread (G)	M6
N2	8,1 mm
JB	46 mm
T5	15 mm
Thread (K5)	M4
Weight	0,496 Kg
Basic dynamic load rating (C)	2,28 kN

KGHA25-PP Bearing 2D drawings and 3D CAD models