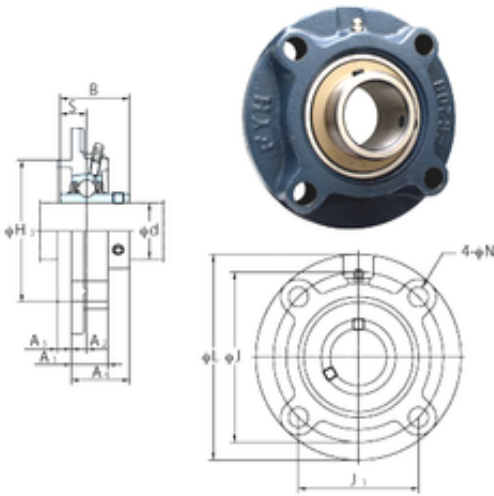




FYH UCFC216-50 bearing units

Bearing No. UCFC216-50



UCFC216-50 Bearing 2D drawings and 3D CAD models

Bore Diameter	79,375 mm
d	79,375 mm
H3	170 mm
A4	67,3 mm
A1	42 mm
B	82,6 mm
J	200 mm
L	240 mm
N	23 mm
S	33,3 mm
Bolt (G)	M20
A2	18 mm
A3	16 mm
J1	141,4 mm
Weight	8,7 Kg
Basic dynamic load rating (C)	72,7 kN
Basic static load rating (C0)	53 kN