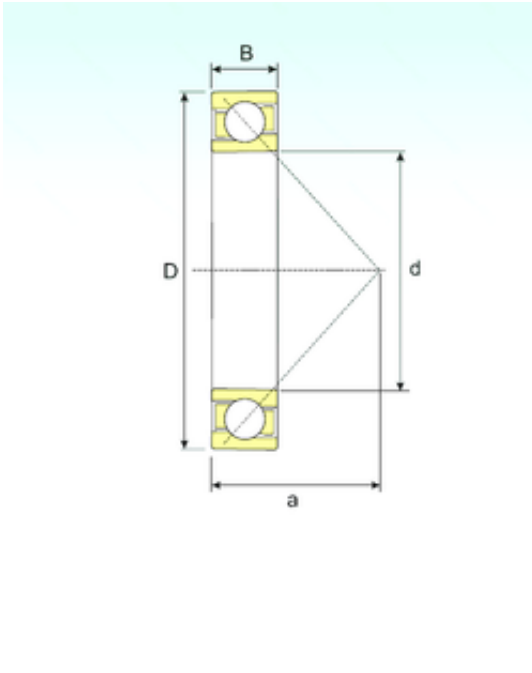




Xili Bearing Co., Ltd



7208 B Bearing 2D drawings and 3D CAD models

40 mm x 80 mm x 18 mm ISB 7208 B angular contact ball bearings

Bearing No. 7208 B

Size	40x80x18 mm
Bore Diameter	40 mm
Outer Diameter	80 mm
Width	18 mm
d	40 mm
D	80 mm
B	18 mm
C	18 mm
a	34 mm
Weight	0,38 Kg
Basic dynamic load rating (C)	35,67 kN
Basic static load rating (C0)	25,48 kN
(Grease) Lubrication Speed	7650 r/min