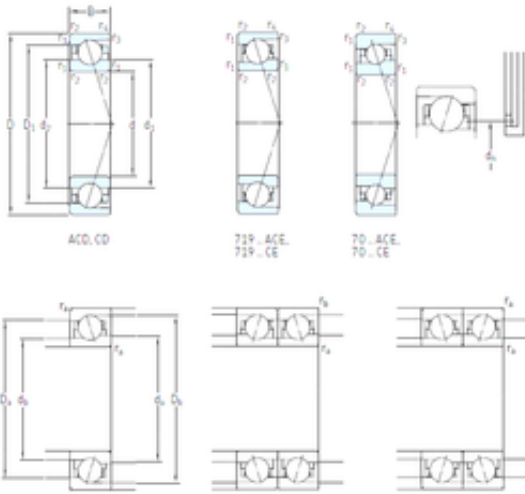




Xili Bearing Co., Ltd



110 mm x 150 mm x 20 mm SKF 71922 ACD/P4A angular contact ball bearings

Bearing No. 71922 ACD/P4A

71922 ACD/P4A Bearing 2D drawings and 3D CAD models

Size	110x150x20 mm
Bore Diameter	110 mm
Outer Diameter	150 mm
Width	20 mm
d	110 mm
D	150 mm
B	20 mm
C	20 mm
d1	122,3 mm
d2	122,3 mm
r1 min.	1,1 mm
r2 min.	1,1 mm
r3 min.	0,6 mm
r4 min.	0,6 mm
D1	137,7 mm
D2	140,6 mm
da min.	116 mm
Da max.	144 mm
db min	116 mm
ra max.	1 mm
rb max.	0,6 mm
dh	125,6 mm
Db max	146 mm
Weight	0,86 Kg
Basic dynamic load rating (C)	58,5 kN



Xili Bearing Co., Ltd

Basic static load rating (C0)	68 kN
(Grease) Lubrication Speed	7 500 r/min
(Oil) Lubrication Speed	12 000 r/min
Fatigue load limit (Pu)	2,55
Category	Precision Ball Bearings
Inventory	0.0
Manufacturer Name	SKF
Minimum Buy Quantity	N/A
Weight / Kilogram	0.92
EAN	7316570945010
Product Group	B04270
Enclosure	Open
Precision Class	ABEC 7 ISO P4
Material - Ball	Steel
Number of Bearings	1 (Single)
Contact Angle	25 Degree
Preload	None
Raceway Style	1 Rib Outer Ring
Cage Material	Phenolic
Rolling Element	Ball Bearing
Flush Ground	No
Inch - Metric	Metric
Other Features	Single Row Angular Contact High Precision
Long Description	110MM Bore; 150MM Outside Diameter; 20MM Width; Open Enclosure; ABEC 7 ISO P4 Precision; Steel Ball Material; 1 (Single) Bearings; 25 Degree Contact Angle; Phenolic Cage Material; 1 Rib Outer Ring R
Category	Precision Ball Bearings
UNSPSC	31171531



Xili Bearing Co., Ltd

Harmonized Tariff Code	8482.10.50.28
Noun	Bearing
Keyword String	Angular Contact Ball
Manufacturer URL	http://www.skf.com
Manufacturer Item Number	71922 ACD/P4A
Weight / LBS	2.017
Bore	4.331 Inch 110 Millimeter
Width	0.787 Inch 20 Millimeter
Outside Diameter	5.906 Inch 150 Millimeter
d_1	122.3 mm
d_2	122.3 mm
D_1	137.7 mm
$r_{1,2}$ min.	1.1 mm
$r_{3,4}$ min.	0.6 mm
a	40.4 mm
d_a min.	116 mm
d_b min.	116 mm
D_a max.	144 mm
D_b max.	146 mm
r_a max.	1 mm
r_b max.	0.6 mm
d_n	125.6 mm
Basic dynamic load rating C	58.5 kN
Basic static load rating C_0	68 kN
Fatigue load limit P_u	2.55 kN
Attainable speed for grease lubrication	7500 r/min
Attainable speed for oil-air lubrication	12000 r/min
Ball diameter D_w	12.7 mm
Number of balls z	28
Reference grease quantity G_{ref}	11.4 cm ³



Xili Bearing Co., Ltd

Preload class A G_A	370 N
Static axial stiffness, preload class A	274 N/ μ m
Preload class B G_B	740 N
Static axial stiffness, preload class B	359 N/ μ m
Preload class C G_C	1480 N
Static axial stiffness, preload class C	482 N/ μ m
Preload class D G_D	2960 N
Static axial stiffness, preload class D	661 N/ μ m
Calculation factor f	1.26
Calculation factor f_1	0.98
Calculation factor f_{2A}	1
Calculation factor f_{2B}	1.04
Calculation factor f_{2C}	1.08
Calculation factor f_{2D}	1.14
Calculation factor f_{HC}	1
Calculation factor e	0.68
Calculation factor (single, tandem) Y_2	0.87
Calculation factor (single, tandem) Y_0	0.38
Calculation factor (single, tandem) X_2	0.41
Calculation factor (back-to-back, face-to-face) Y_1	0.92
Calculation factor (back-to-back, face-to-face) Y_2	1.41
Calculation factor (back-to-back, face-to-face) Y_0	0.76
Calculation factor (back-to-back, face-to-face) X_2	0.67
Mass bearing	0.86 kg